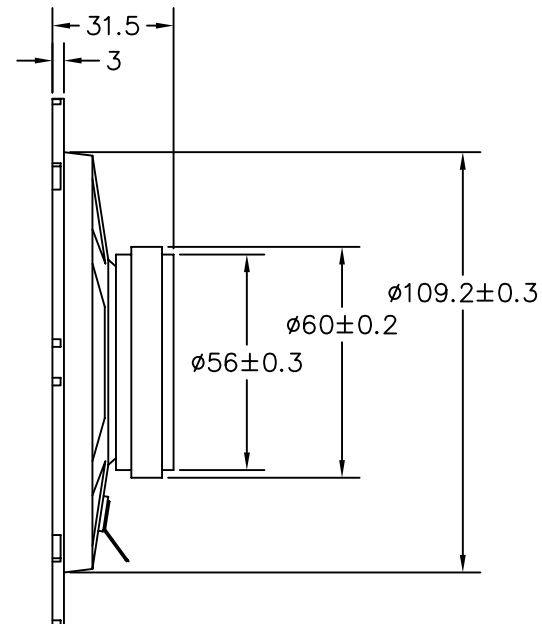
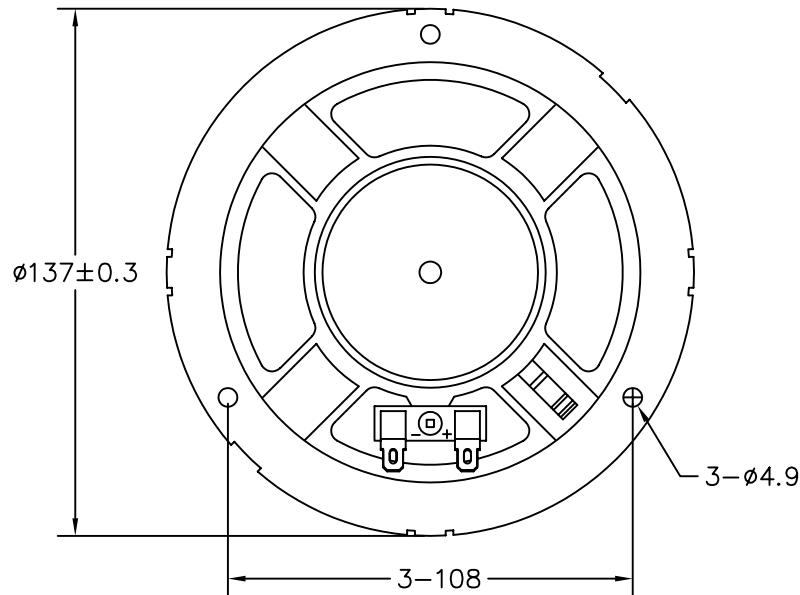


THIS DOCUMENT CONTAINS DATA PROPRIETARY TO PROJECTS UNLIMITED, INC. ANY USE OR REPRODUCTION, IN ANY FORM, WITHOUT PRIOR WRITTEN PERMISSION OF PROJECTS UNLIMITED, INC. IS PROHIBITED.  
© 2003, Projects Unlimited Inc.

### SPECIFICATIONS

PARAMETERS	VALUES	UNITS
RATED INPUT POWER	5	W
MAX INPUT POWER	10	W
IMPEDANCE	8±15%	OHM
OUTPUT SPL @ 0.3W/0.5M (AT 1.0, 1.4, 1.7, 2 kHz)	100±3	dB
DISTORTION (MAX.)	5%	-
RESONANT FREQUENCY	160±32	Hz
FREQUENCY RANGE	160 ~ 5,700	Hz
HOUSING MATERIAL	METAL	-
CONE MATERIAL	PAPER	-
MAGNET MATERIAL	FERRITE	-
OPERATING TEMPERATURE	-20 ~ +55	°C
WEIGHT	320	grams

REVISIONS			
LTR	DESCRIPTION	DATE	APPROVED
-	RELEASED FROM ENGINEERING	7/8/05	



NOTES:

1. ALL DIMENSIONS ARE IN MILLIMETERS.
2. SPECIFICATION SUBJECT TO CHANGE OR WITHDRAWAL WITHOUT NOTICE.
3. THIS PART IS RoHS 2002/95/EC COMPLIANT.

FILE NAME  
AS13708PR-R.DWG

UNLESS OTHERWISE SPECIFIED:  
DIMENSIONS ARE IN MILLIMETERS, TOLERANCES ARE ±0.5 AND ANGLES ARE ±3°.



projects®  
unlimited

Dayton, Ohio

### SPEAKER

APPROVALS	DATE
DRAWN <i>B.R.</i>	7/05
CHECKED <i>E.P.</i>	7/05
APPROVED <i>R.W.</i>	7/05

SIZE  
A

DRAWING NO.  
AS13708PR-R

DO NOT SCALE DRAWING

SCALE: N.T.S.

SHEET 1 OF 1